

S

**Eaton®**

Pressure Modulating Control Valve

April, 1998



**Model 31931, 7 GPM  
Pressure Modulating Control Valve**

We Manufacture

**Solutions**

Hydraulics

g  
h  
y  
i  
d  
r  
a  
u  
n  
i  
c  
s

## Features and Specifications

# Eaton® 7 GPM Pressure Modulating Control Valve Model 31931-CBZ

### Applications

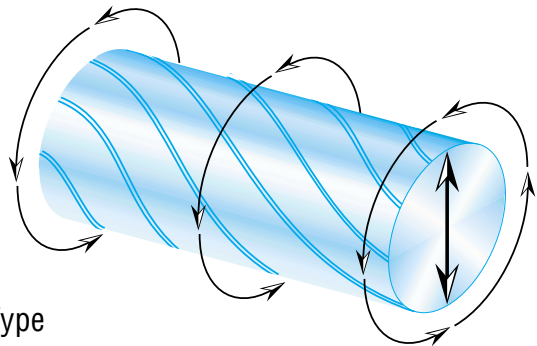
- Front Mounted Rotary Deck Mowers
- Front Mounted Reel Mowers



Similar to other single spool control valves, this valve allows the operator to smoothly position (raise and lower) the mower deck or reels with precision. In addition, lift circuit back pressure can be modulated by operating a rotary needle cartridge which allows the operator to take weight off the cutting units for reduced ground pressure and increased tractive effort or to apply down pressure to the cutting units for improved cutting finish.

### Standard Features

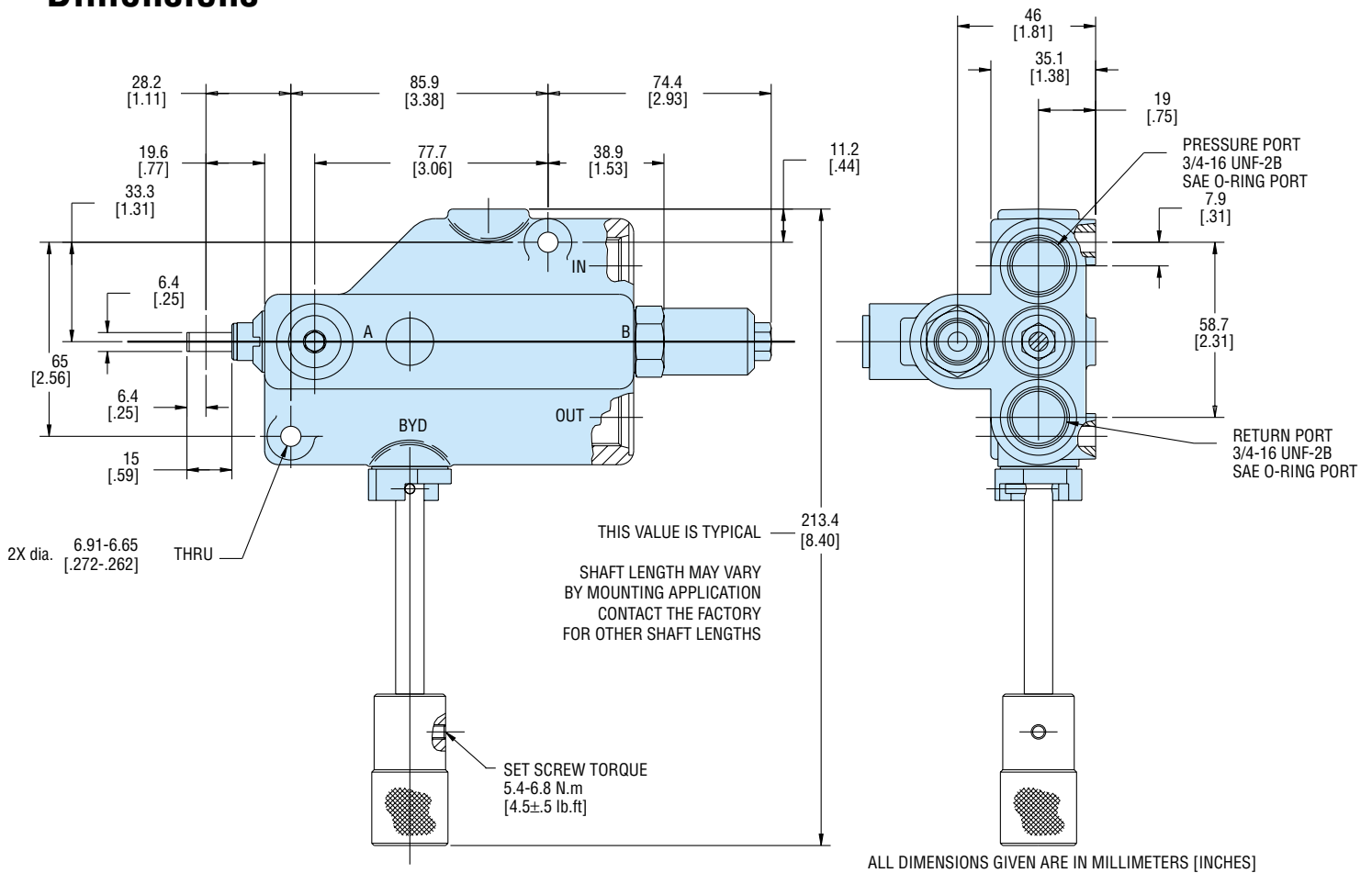
- Cast Iron Bodies
- Cored Internal Passages
- 3/4" -16 SAE Inlet and Return Ports
- 9/16" -18 SAE Work Ports
- Detent – Float
- Modulating Valve – Cartridge Needle Type



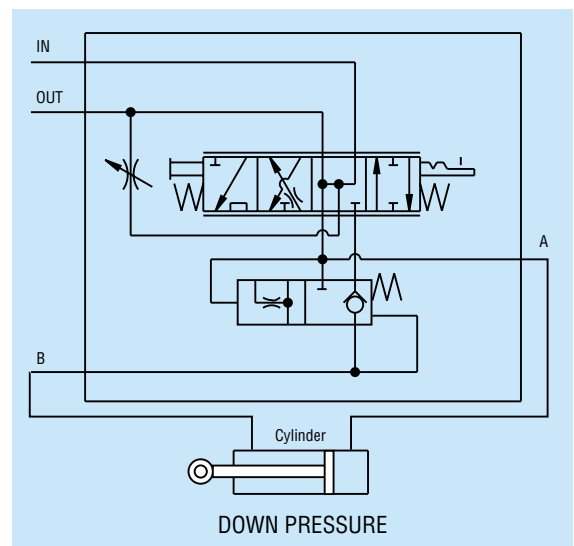
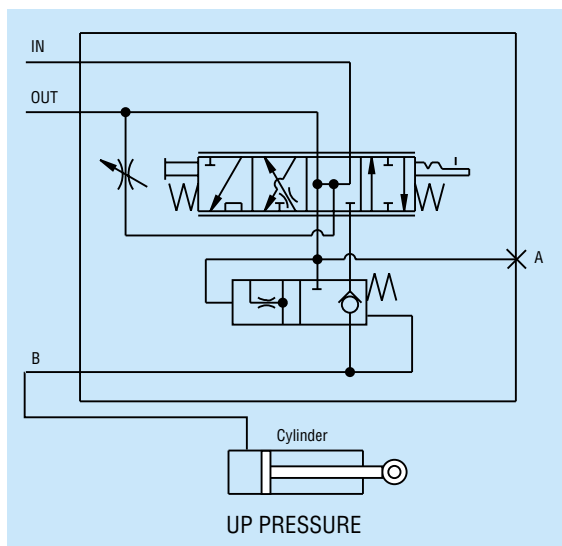
### Specifications

- Inlet Flow Rate----- 26.5 L/min [7 GPM ]
- Pressure Rating ----- 172 bar [2500 PSI]
- Maximum System Temperature ----- 107° C [225° F]

# Dimensions



# Schematics



**Eaton**  
Fluid Power Group  
Hydraulics Business USA  
14615 Lone Oak Road  
Eden Prairie, MN 55344  
USA  
Tel: 952-937-9800  
Fax: 952-294-7722  
[www.eaton.com/hydraulics](http://www.eaton.com/hydraulics)

**Eaton**  
Fluid Power Group  
Hydraulics Business Europe  
Route de la Longeraie 7  
1110 Morges  
Switzerland  
Tel: +41 (0) 21 811 4600  
Fax: +41 (0) 21 811 4601

**Eaton**  
Fluid Power Group  
Hydraulics Business Asia Pacific  
11th Floor Hong Kong New World Tower  
300 Huaihai Zhong Road  
Shanghai 200021  
China  
Tel: 86-21-6387-9988  
Fax: 86-21-6335-3912