

Ordering Code

Model No.

T6E* - 066 - 3 R 00 - B 1

Series M = Mobile 1 shaft seal
Series P = Mobile 2 shaft seals

Cam ring

(Delivery at 0 bar & 1500 r.p.m.)

042 = 198,5 l/min 062 = 295,0 l/min
045 = 213,6 l/min 066 = 319,9 l/min
050 = 237,7 l/min 072 = 340,6 l/min
052 = 247,2 l/min

Type of shaft

Type of shaft

M version

P version

1 = keyed (SAE CC)
2 = keyed (no SAE)
3 = splined (SAE C)
4 = splined (SAE CC)
T = splined (SAE J718c)

3 = splined (no SAE)

Modification

Seal class

1 = S1 (for mineral oil)
4 = S4 (for the resistant fluids)
5 = S5 (for mineral oil and fire resistant fluids)

Design letter

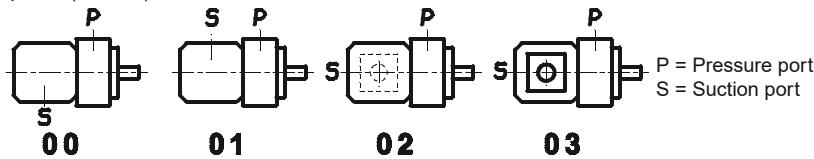
Porting combination

00 = standard

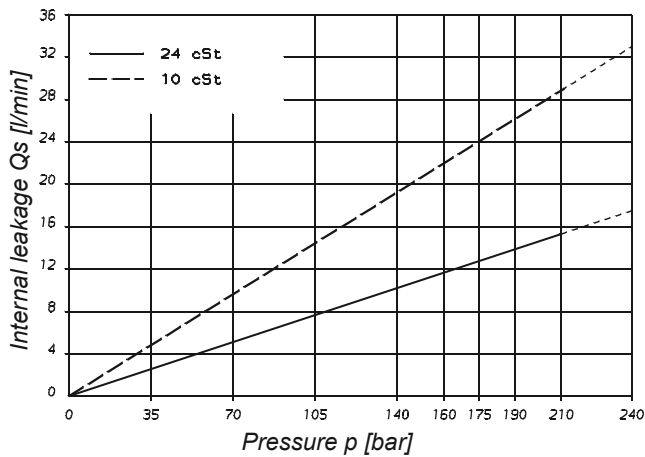
Direct. of rotation (view on shaft end)

R = clockwise

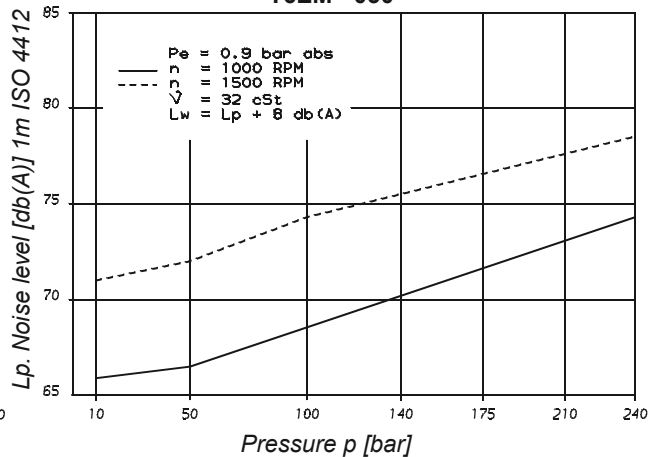
L = counter-clockwise



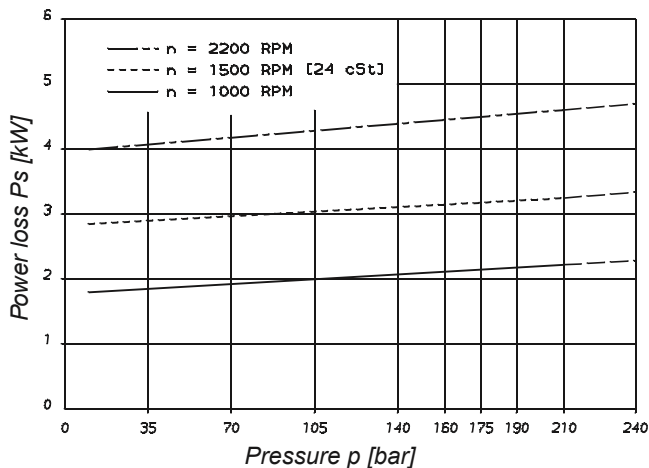
INTERNAL LEAKAGE (TYPICAL)



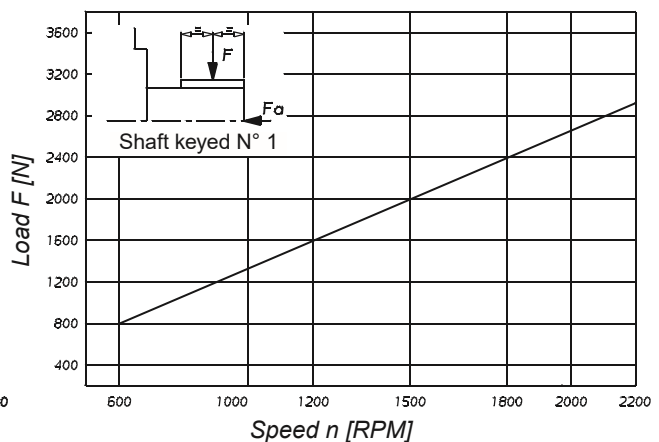
NOISE LEVEL (TYPICAL)
T6EM - 050



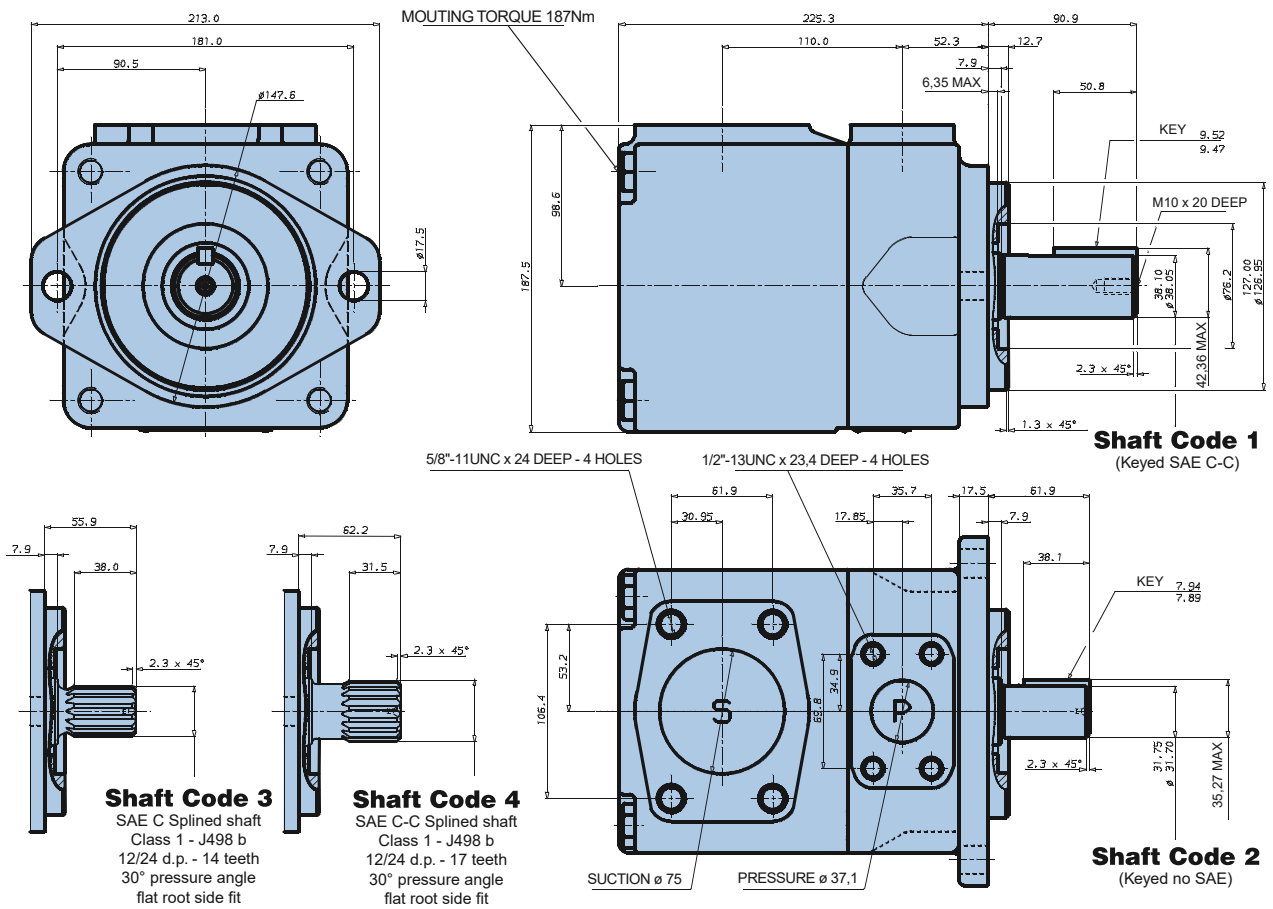
POWER LOSS HYDROMECHANICAL (TYPICAL)



PERMISSIBLE RADIAL LOAD



Maximum permissible axial load Fa = 2000 N



Additional T6EM shaft code T: see page 33
Additional T6EP version shaft see page 33

Shaft torque limits [ml/rev x bar]		
Pump	Shaft	Vi x p max.
T6EM	1	54500
	2	34590
	3	61200
	4	61200

OPERATING CHARACTERISTICS - TYPICAL [24 cSt]

Series	Volumetric Displacement Vi	Speed n [R.P.M.]	Flow Q [l/min]			Input power P [kW]		
			p = 0 bar	p = 140 bar	p = 240 bar	p = 7 bar	p = 140 bar	p = 240 bar
042	132,3 ml/rev	1000	132,3	122,3	115,2	3,2	32,9	55,2
		1500	198,5	188,5	181,3	5,2	49,4	82,6
045	142,4 ml/rev	1000	142,4	132,4	125,3	3,4	35,3	59,2
		1500	213,6	203,6	196,5	5,4	52,9	88,7
050	158,5 ml/rev	1000	158,5	148,5	141,4	3,5	39,0	65,6
		1500	237,7	227,7	220,6	5,7	58,5	98,3
052	164,8 ml/rev	1000	164,8	154,8	147,7	3,6	40,5	68,2
		1500	247,2	237,2	230,1	5,8	60,8	102,1
062	196,7 ml/rev	1000	196,7	186,7	179,6	4,0	47,9	80,9
		1500	295,0	285,0	277,9	6,4	71,9	121,3
066	213,3 ml/rev	1000	213,3	203,3	196,2	4,2	51,8	87,6
		1500	319,9	309,9	302,8	6,7	77,7	131,2
072	227,1 ml/rev	1000	227,1	217,1	210,0	4,3	55,0	93,1
		1500	340,6	330,6	323,5	6,9	82,6	139,5

Port connection can be furnished with metric threads.